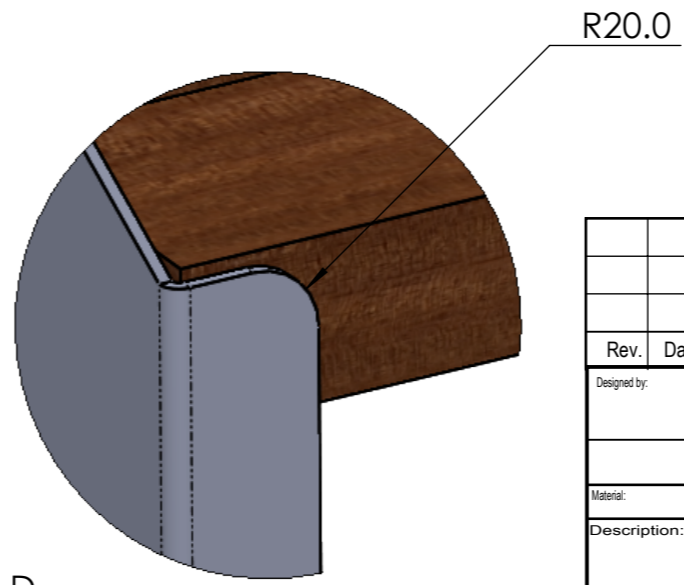
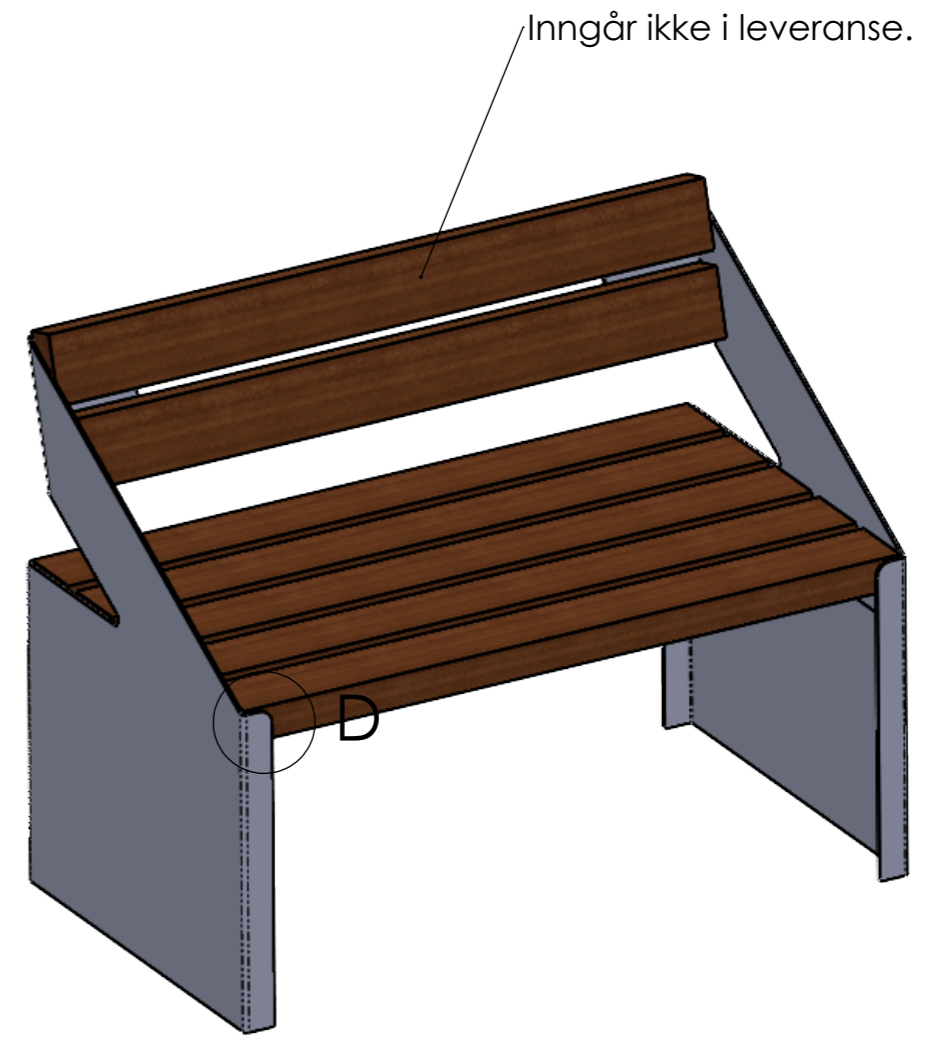
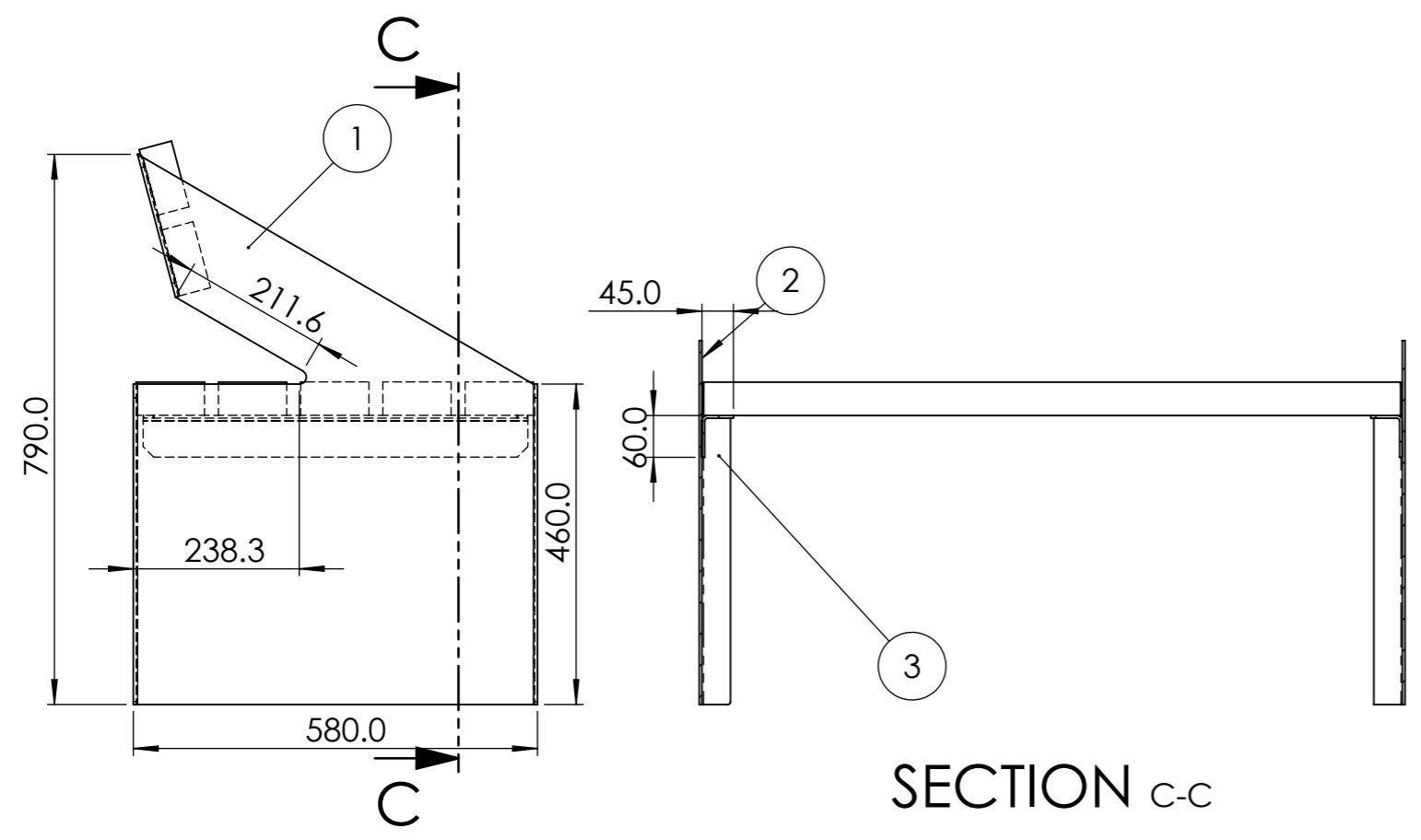


Pos.	Ant.	Tegnings nr.	Beskrivelse	Material	WEIGHT
1	1	661926	Robina benk side venstre	4,00x1500x3000 Raex 355 MC Laser	
2	1	662354	Robina benk side høyre	4,00x1500x3000 Raex 355 MC Laser	
3	2	661927	Robina benk avstiver	4,00x1500x3000 Raex 355 MC Laser	

Leveres som 1 sett løse deler.



SCALE 1 : 2

Rev.	Date	Description	Changed by	Approved by
Designed by:		Date:	Drawing number: 661923	Revision: Page: 1 OF 1
Material:			Cust. dwg no:	Rev.:
Description:				Scale A3: 1:10
				Tolerances NS-ISO 2768-1:

This drawing is our property. reproduction, use or disclosure of this document to third parties without our permission is strictly forbidden.
© Haaland Tynnplate AS